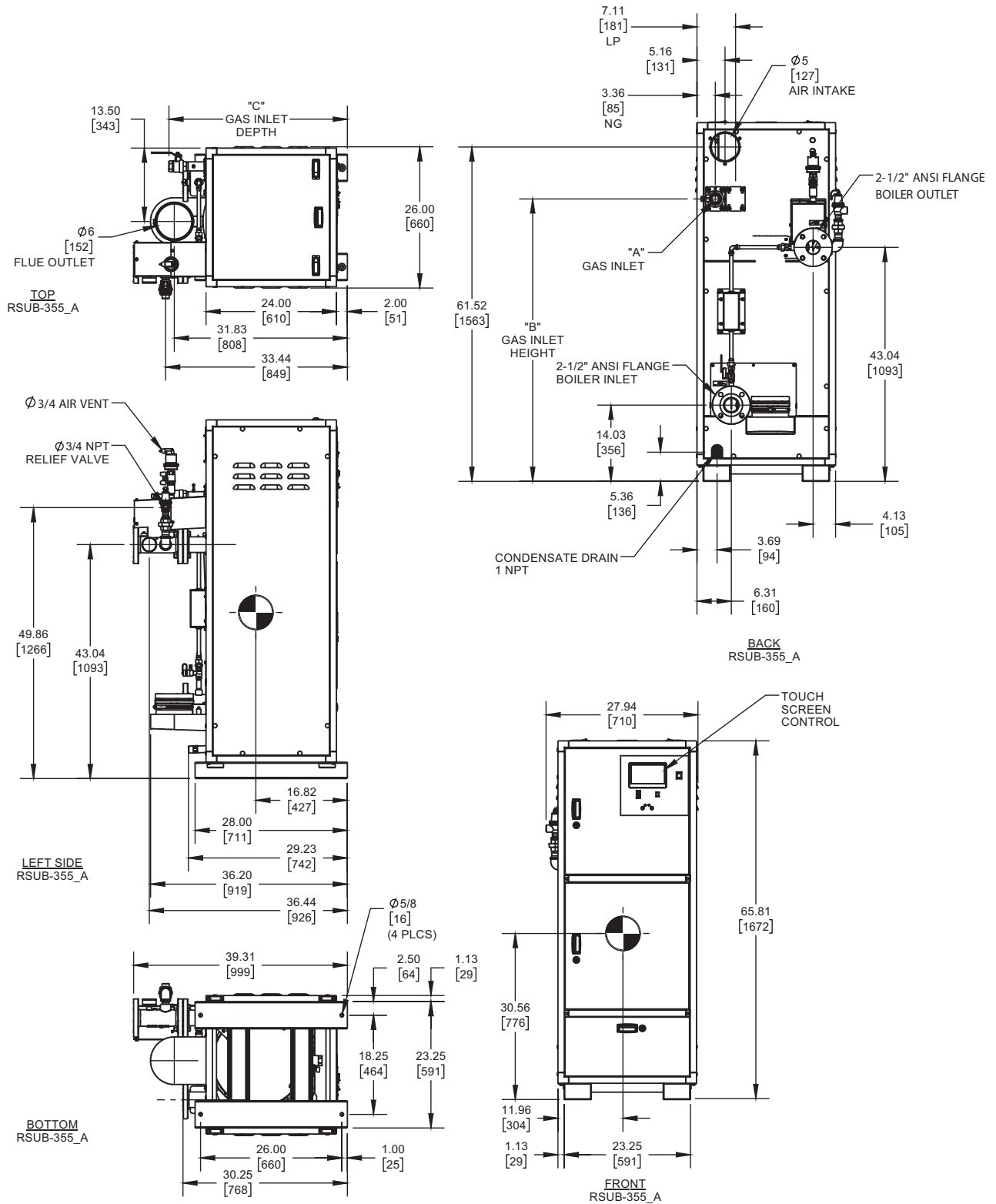


ENCORE 725


Category II or Category IV Appliance
(see Installation and Operation Manual for venting information)

INDOOR UNIT



GAS OPTION	"A"	"B"	kPa
NG	1-1/4 NPT	51.96	32.83
LP	3/4 NPT	51.96	32.84

Notes:

1. Dimensions are approximate and should not be used to "rough-in" equipment.
2. Dimensions are subject to change without notice.
3. All dimensions are in inches [mm].
4.  Symbol indicates center of gravity.

BOILER CERTIFIED RATINGS & CAPACITIES

Fuel Type	Natural/Propane Gas	Boiler FLA	17.1 *
Input BTU/hr.	725,000 / 212 KW	Boiler HP	21.1
Output BTU/hr.	707,600 / 207 KW	Min. Gas Pressure Required	4" W.C.
Electrical Requirements	120 VAC/60 Hz/1PH (with neutral)	Max. Gas Pressure Allowed	14" W.C.
		Operating Weight	725 lbs. / 328.9 kg.

BOILER TRIM & CONTROLS

Main Gas Valve	Dungs MBC	Air Switch	Huba
Ignition Control	Fenwal	Flow Sensor	SIKA
Operating Control	HeatNet®	Blocked Flue Switch	Cleveland NS2
High Limit	Jumo	Blower Motor	Ametek
Relief Valve	3/4" x 3/4" set @ 50 psi	L.W.C.O.	800

A.S.M.E.

ASME Sect IV Fire Side Htg Surface	84.6 Sq. Ft. / 7.85 Sq. M.	Design Data	Max. 160 psig & 210°F
		Water Volume	17.4 gal. / 65.8 Liters
ASME Sect IV Water Side Htg Surface	112.16 Sq. Ft. / 10.42 Sq. M.		

* Add circulator amps.

BOILER TEMPERATURE RISE / PRESSURE DROP (Based on Full Input)

20°F / 11.1°C				30°F / 16.7°C				40°F / 22.2°C				50°F / 27.8°C				60°F / 33.3°C			
Flow Rate		Pressure Drop		Flow Rate		Pressure Drop		Flow Rate		Pressure Drop		Flow Rate		Pressure Drop		Flow Rate		Pressure Drop	
GPM	L/s	Ft	kPa	GPM	L/s	Ft	kPa	GPM	L/s	Ft	kPa	GPM	L/s	Ft	kPa	GPM	L/s	Ft	kPa
70.8	4.5	4.9	14.8	47.2	3.0	3.7	11.0	35.4	2.2	3.2	9.5	28.3	1.8	2.9	8.7	23.6	1.5	2.7	8.2

Flow GPM				Temp. Rise** (°F)				Vent Length (Equiv. Ft.)				Air Inlet Length (Equiv. Ft.)			
Min		Max		Min		Max		Min		Max		Min		Max	
23.6		70.8		20		60		6		100		0		100	

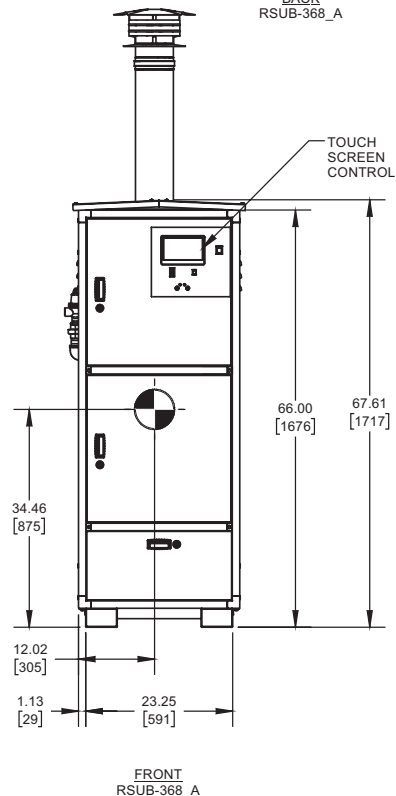
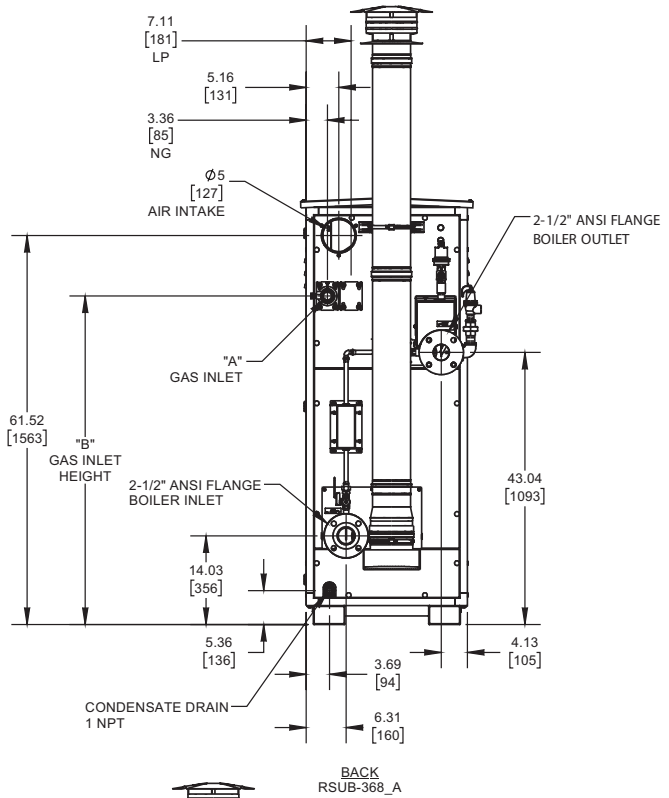
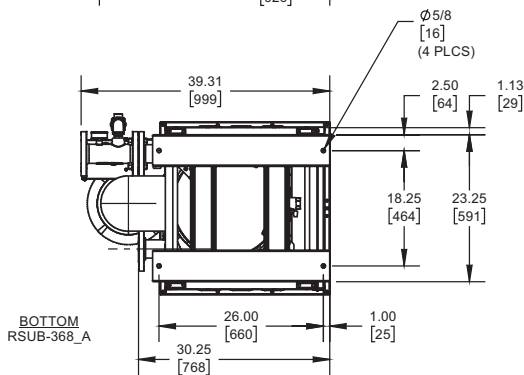
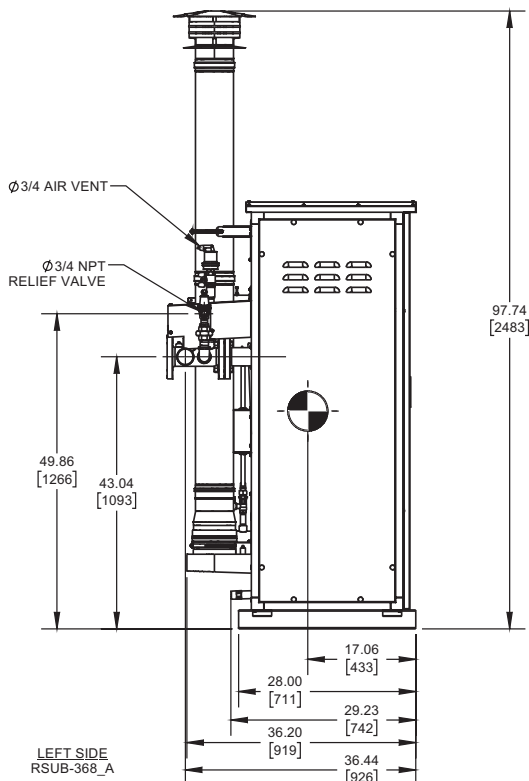
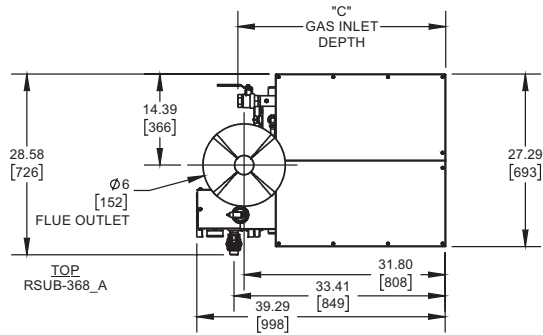
** Min/Max delta t reflects boiler operation at full input. For applications requiring operation above/below these parameters please consult factory.

<p>REP FIRM _____</p> <p>SUBMITTED BY _____</p> <p>JOB NAME _____</p> <p>ARCHITECT _____</p> <p>ENGINEER _____</p> <p>CONTRACTOR _____</p> <p>DATE _____</p>	<div style="background-color: black; color: white; padding: 5px; font-weight: bold; font-size: 1.2em;">ENCORE 725</div> <p>Category II or Category IV Appliance (see Installation and Operation Manual for venting information)</p> <div style="text-align: center;">  <p>RBI® A Division of Mestek, Inc. Westfield, MA 01085 (413) 564-5515</p> <p>RELIABLE. BOLD. INNOVATIVE.</p> </div>
---	--

ENCORE 725


Category II or Category IV Appliance
(see Installation and Operation Manual for venting information)

OUTDOOR UNIT



GAS OPTION	"A"	"B"	kPa
NG	1-1/4 NPT	51.95	32.83
LP	3/4 NPT	51.95	32.84

Notes:

1. Dimensions are approximate and should not be used to "rough-in" equipment.
2. Dimensions are subject to change without notice.
3. All dimensions are in inches (mm).
4.  Symbol indicates center of gravity.

BOILER CERTIFIED RATINGS & CAPACITIES

Fuel Type	Natural/Propane Gas	Boiler FLA	17.1 *
Input BTU/hr.	725,000 / 212 KW	Boiler HP	21.1
Output BTU/hr.	705,425 / 207 KW	Min. Gas Pressure Required	4" W.C.
Electrical Requirements	120 VAC/60 Hz/1PH (with neutral)	Max. Gas Pressure Allowed	14" W.C.
		Operating Weight	725 lbs. / 328.9 kg.

BOILER TRIM & CONTROLS

Main Gas Valve	Dungs MBC	Air Switch	Huba
Ignition Control	Fenwal	Flow Sensor	SIKA
Operating Control	HeatNet®	Blocked Flue Switch	Cleveland NS2
High Limit	Jumo	Blower Motor	Ametek
Relief Valve	3/4" x 3/4" set @ 50 psi	L.W.C.O.	800

A.S.M.E.

ASME Sect IV Fire Side Htg Surface	84.6 Sq. Ft. / 7.85 Sq. M.	Design Data	Max. 160 psig & 210°F
ASME Sect IV Water Side Htg Surface	112.16 Sq. Ft. / 10.42 Sq. M.	Water Volume	17.4 gal. / 65.8 Liters


* Add circulator amps.

BOILER TEMPERATURE RISE / PRESSURE DROP (Based on Full Input)

20°F / 11.1°C				30°F / 16.7°C				40°F / 22.2°C				50°F / 27.8°C				60°F / 33.3°C			
Flow Rate		Pressure Drop		Flow Rate		Pressure Drop		Flow Rate		Pressure Drop		Flow Rate		Pressure Drop		Flow Rate		Pressure Drop	
GPM	L/s	Ft	kPa	GPM	L/s	Ft	kPa	GPM	L/s	Ft	kPa	GPM	L/s	Ft	kPa	GPM	L/s	Ft	kPa
70.6	4.5	4.9	14.7	47.0	3.0	3.7	11.0	35.3	2.2	3.2	9.5	28.2	1.8	2.9	8.7	23.5	1.5	2.7	8.2

Flow GPM				Temp. Rise** (°F)				Vent Length (Equiv. Ft.)				Air Inlet Length (Equiv. Ft.)			
Min		Max		Min		Max		Min		Max		Min		Max	
23.5		70.6		20		60		6		100		0		100	

** Min/Max delta t reflects boiler operation at full input. For applications requiring operation above/below these parameters please consult factory.

<p>REP FIRM _____</p> <p>SUBMITTED BY _____</p> <p>JOB NAME _____</p> <p>ARCHITECT _____</p> <p>ENGINEER _____</p> <p>CONTRACTOR _____</p> <p>DATE _____</p>	<div style="background-color: black; color: white; padding: 5px; font-weight: bold; font-size: 1.2em;">ENCORE 725</div> <p>Category II or Category IV Appliance (see Installation and Operation Manual for venting information)</p> <div style="text-align: center;">  <p>RBI® A Division of Mestek, Inc. Westfield, MA 01085 (413) 564-5515</p> <p>RELIABLE. BOLD. INNOVATIVE.</p> </div>
---	--